

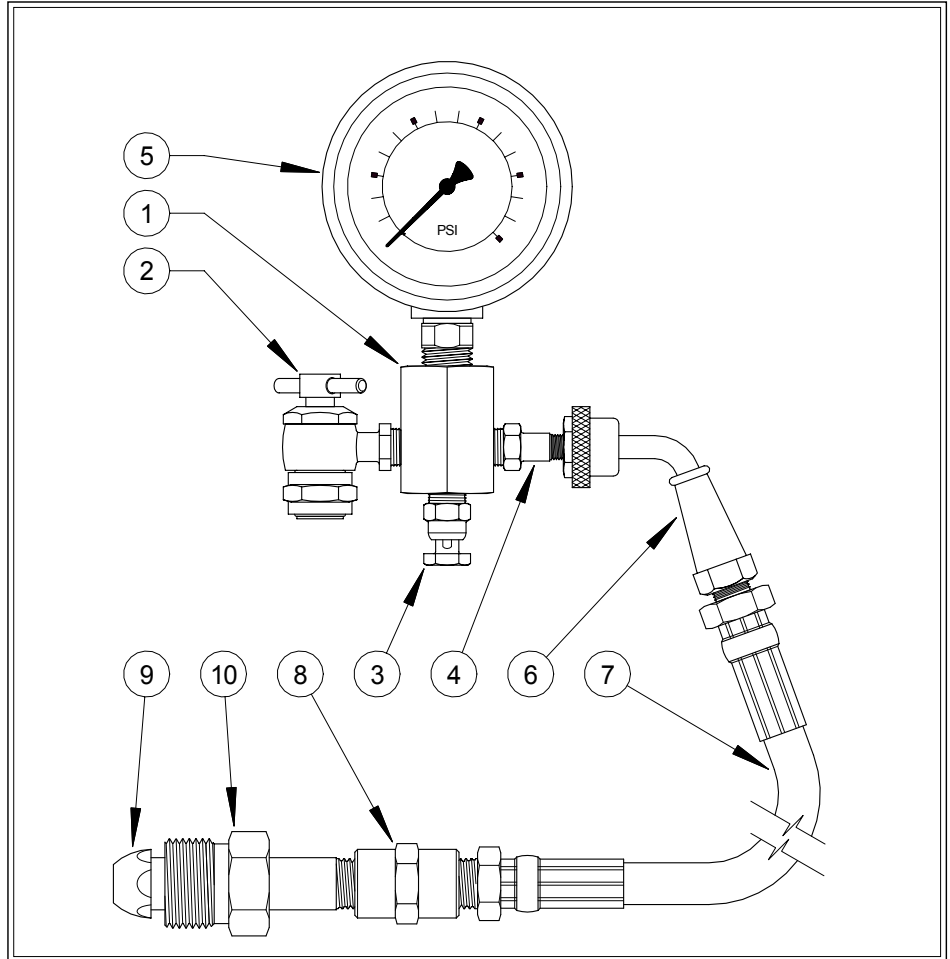
Complete Charging & Gauging Assembly

The model GA-100 Charging and Gauging Assembly from Fluid Energy Controls is a standard tool for maintaining the Nitrogen precharge in hydro-pneumatic accumulators. Gauges are available in five different pressure ranges to 3000 PSI. Other pressures and metric gauge markings are also available.

Features:

- Easy to install and operate.
- No external leakage.
- Maximum versatility.
- All hardware included.
- High quality liquid-filled pressure gauge.
- 10' charging hose with standard right-hand thread nitrogen fitting.

GA-100 - *



GA-100 Parts List

Item	Qty	Description	Part Number
1	1	Body, Portable Mount	GA-001
2	1	Air Chuck	GA-002
3	1	Bleed Valve	GA-003
4	1	Tank Valve	GA-004
5	1	Gauge	GA-005
6	1	Swivel Connector	GA-006
7	1	Hose assy. (10 feet)	GA-007
8	1	Coupler	GA-008
9	1	Gland	GA-009
10	1	Nut	GA-010

Pressure Gauge Options *

Code	Range
A	0 - 100 PSI
B	0 - 300 PSI
C	0 - 600 PSI
D	0 - 1500 PSI
E	0 - 3000 PSI

* When ordering, specify pressure range code. (e.g.: for a 3000 PSI gauge, use part No. GA - 100 - E)

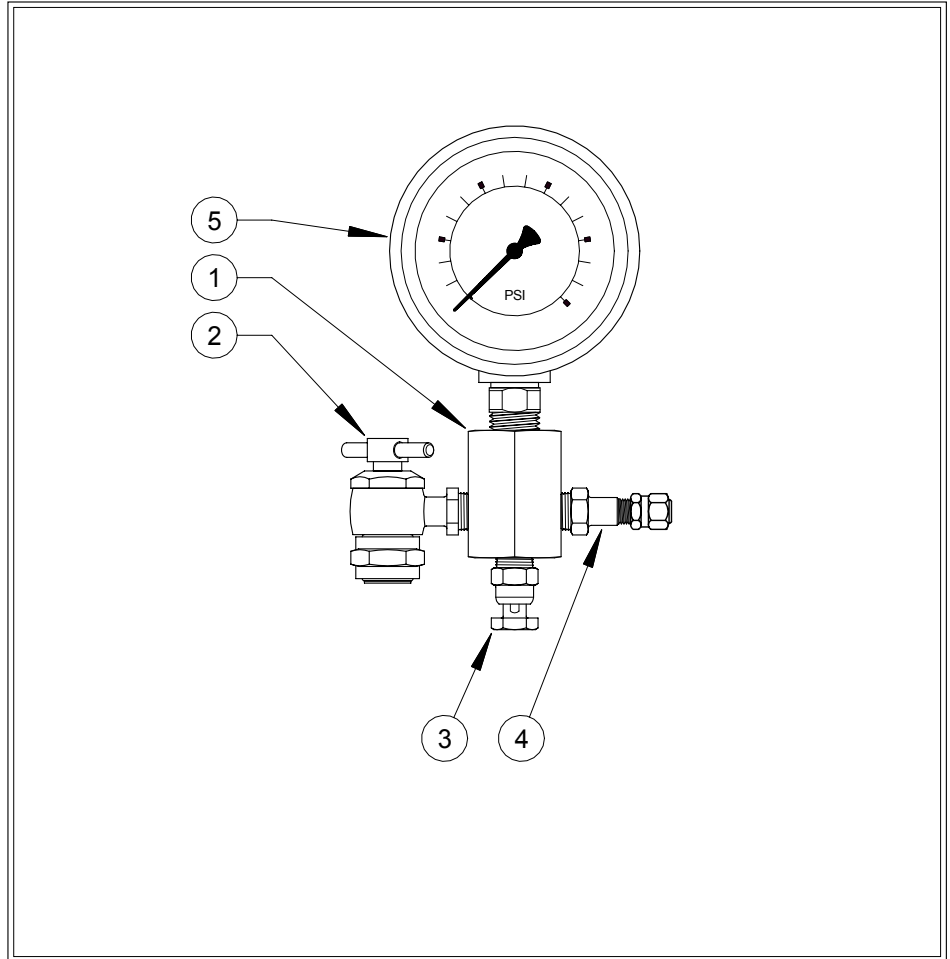
Portable Mount Gauging Head Assembly

The model GA-200 Portable Mount & Gauge Assembly from Fluid Energy Controls is a standard tool for maintaining the Nitrogen precharge in hydro-pneumatic accumulators. Gauges are available in five different pressure ranges to 3000 PSI. Other pressures and metric gauge markings are also available.

Features:

- Easy to install and operate.
- No external leakage.
- High quality liquid-filled pressure gauge.

GA-200 - *



GA-200 Parts List

Item	Qty	Description	Part Number
1	1	Body, Portable Mount	GA-001
2	1	Air Chuck	GA-002
3	1	Bleed Valve	GA-003
4	1	Tank Valve	GA-004
5	1	Gauge	GA-005

Pressure Gauge Options *

Code	Range
A	0 - 100 PSI
B	0 - 300 PSI
C	0 - 600 PSI
D	0 - 1500 PSI
E	0 - 3000 PSI

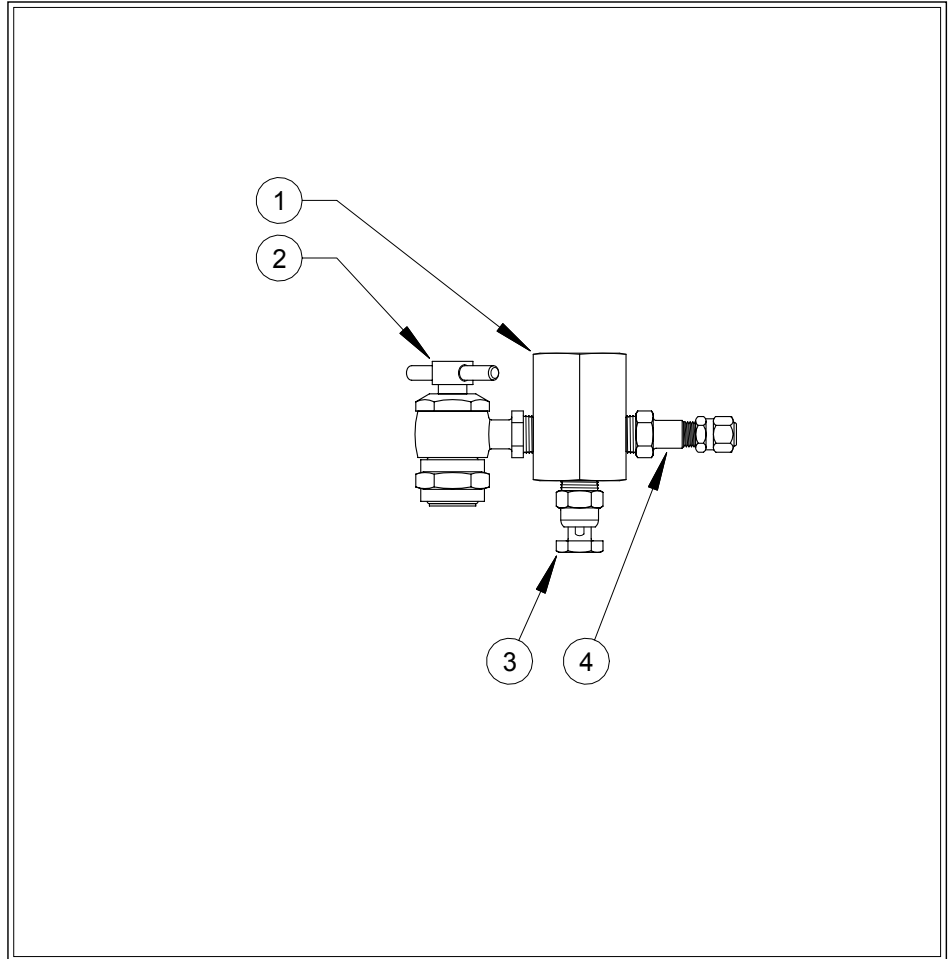
* When ordering, specify pressure range code. (eg.: for a 3000 PSI gauge, use part No. GA - 200 - E)

Portable Mount Gauging Head Assembly Without Gauge



The model GA-300 Portable Mount assembly from Fluid Energy Controls is a standard tool for maintaining the Nitrogen precharge in hydro-pneumatic accumulators.

GA-300



Features:

- Easy to install and operate.

GA-300 Parts list

Item	Qty	Description	Part Number
1	1	Body, Portable Mount	GA-001
2	1	Air Chuck	GA-002
3	1	Bleed Valve	GA-003
4	1	Tank Valve	GA-004

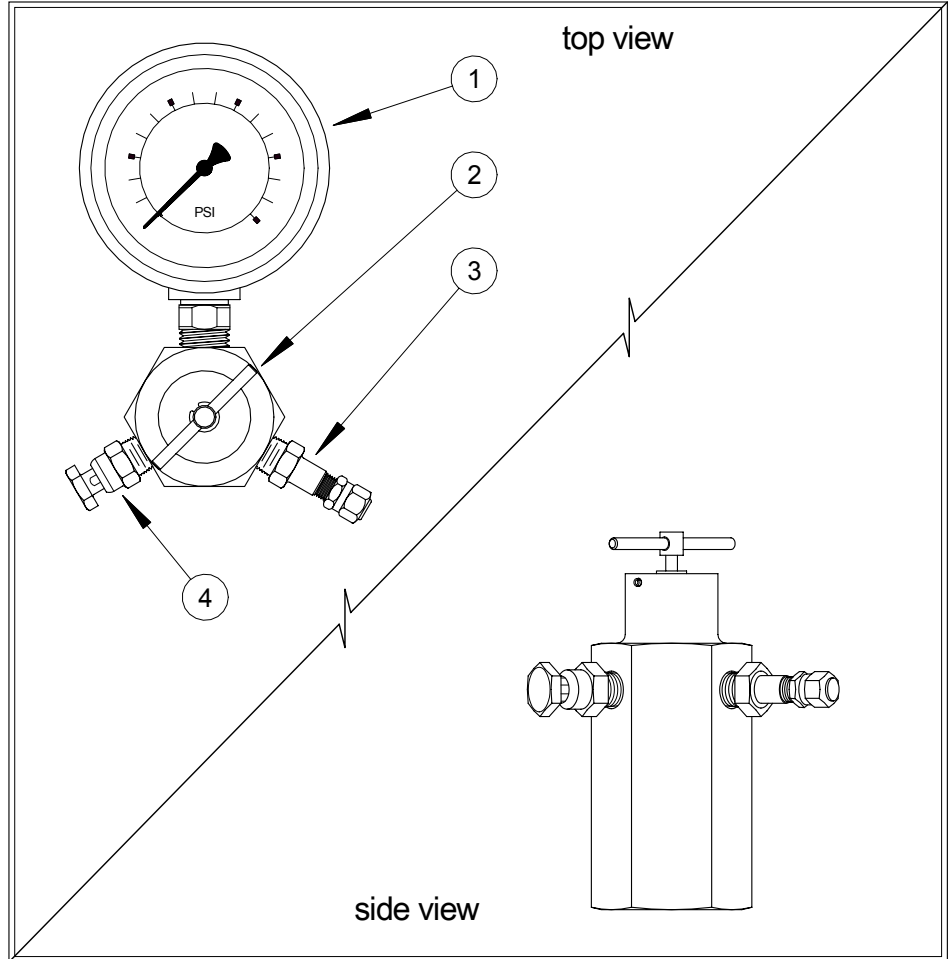
C:\CAD\salesbook\Charging & Gauging Assy-8,CAD 2/25/99

FLUID ENERGY CONTROLS, INC.
2240 GASPAN AVENUE
LOS ANGELES, CALIFORNIA 90040
TELEPHONE (323) 721 - 0588 FAX (323)721 - 8368
WWW.FECINTL.COM

Permanent Mount Gauging Head Assembly

The model GA-400 Permanent Mount & Gauge Assembly from Fluid Energy Controls is a standard tool for maintaining the Nitrogen precharge in hydro-pneumatic accumulators. Gauges are available in five different pressure ranges to 3000 PSI. Other

GA-400 - *



Features:

- Easy to install and operate.
- Allows quick maintenance of accumulator precharge.
- No external leakage.
- High quality liquid-filled pressure gauge.

GA-400 Parts List

Item	Qty	Description	Part Number
1	1	Gauge	GA-005
2	1	Body, Permanent Mount	GA-011
3	1	Tank Valve	GA-004
4	1	Bleed Valve	GA-003

Pressure Gauge Options *

Code	Range
A	0 - 100 PSI
B	0 - 300 PSI
C	0 - 600 PSI
D	0 - 1500 PSI
E	0 - 3000 PSI

* When ordering, specify pressure range code. (eg.: for a 3000 PSI gauge, use part No. GA - 400 - E)

Hose Assembly

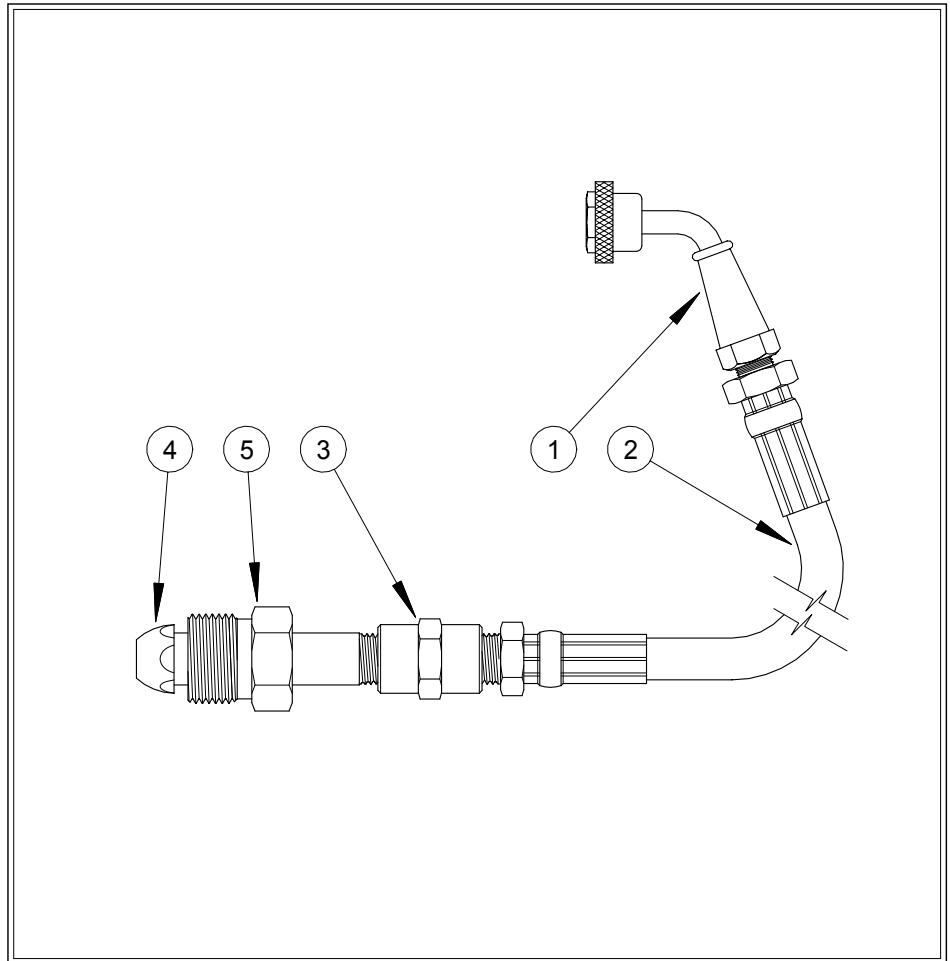
The model GA-500 Hose Assembly from Fluid Energy Controls is rated for pressures up to 3000 PSI. It's durable construction and high quality components make it suitable for the majority of accumulator service applications.

Note: Contact factory for custom hose lengths.

Features:

- Hose Length: 10 feet.
- Standard right-hand thread nitrogen fitting.

GA-500



GA-500 Parts List

Item	Qty	Description	Part Number
1	1	Swivel Connector	GA-006
2	1	Hose (10 feet)	GA-007
3	1	Coupler	GA-008
4	1	Gland	GA-009
5	1	Nut	GA-010