

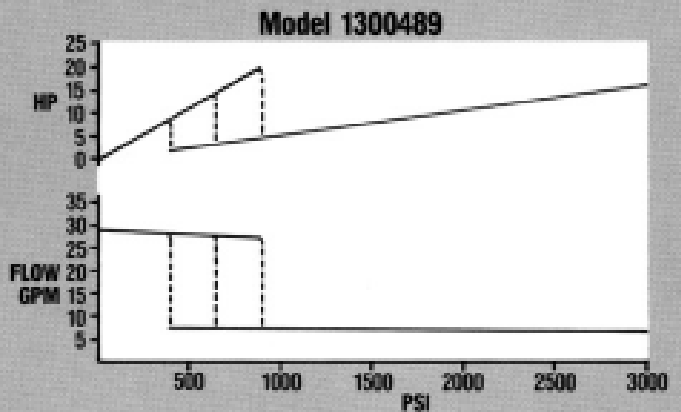
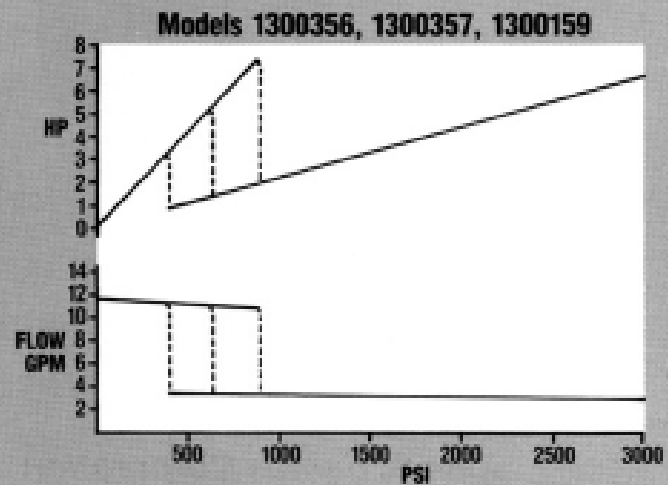
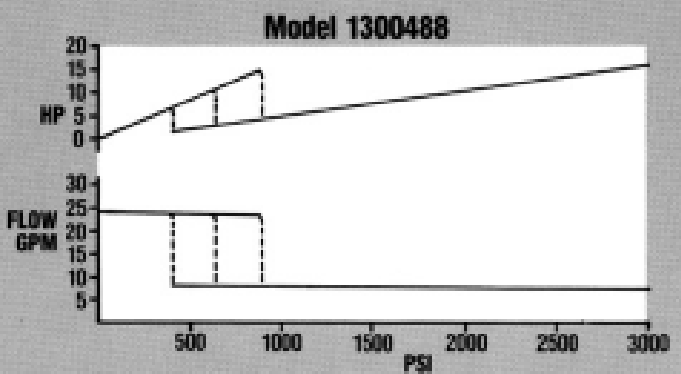
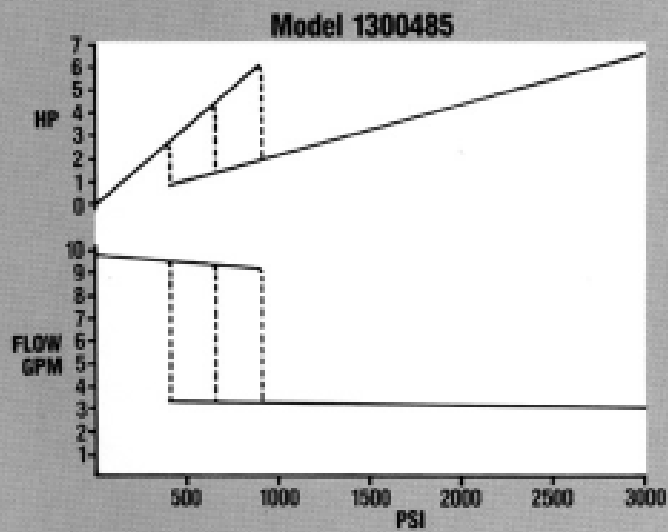
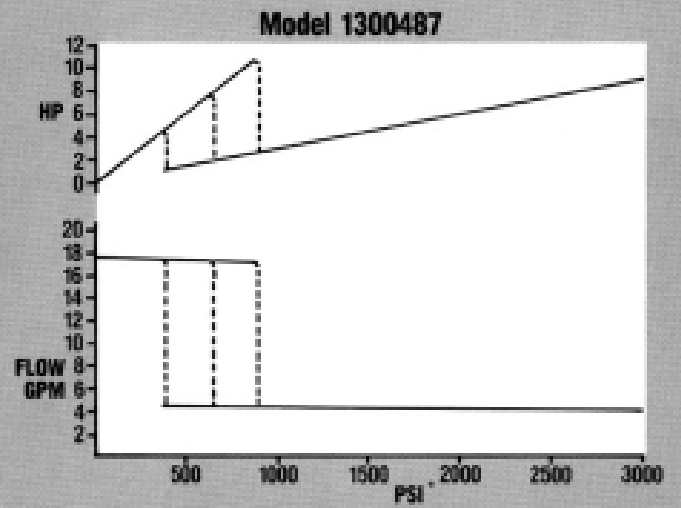
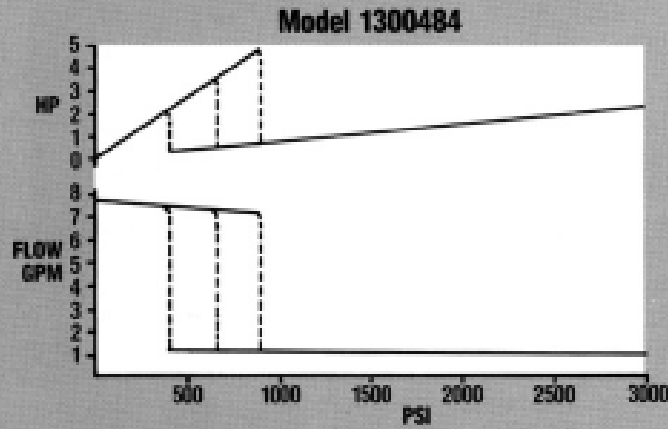
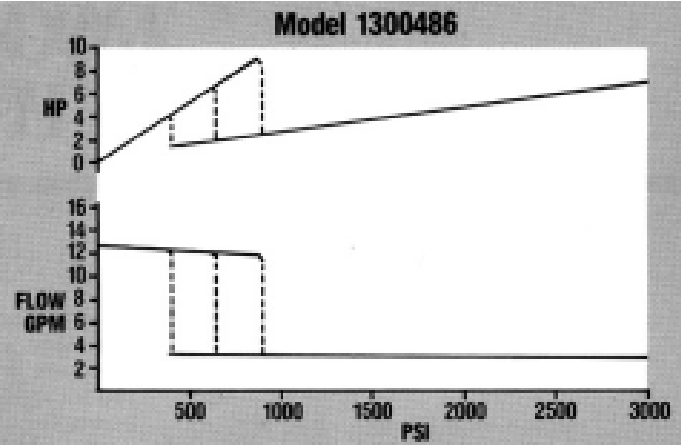
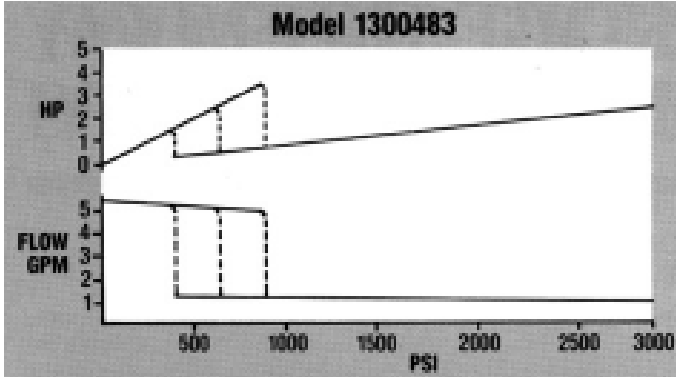
Haldex

TWO STAGE HIGH/LOW HYDRAULIC PUMPS



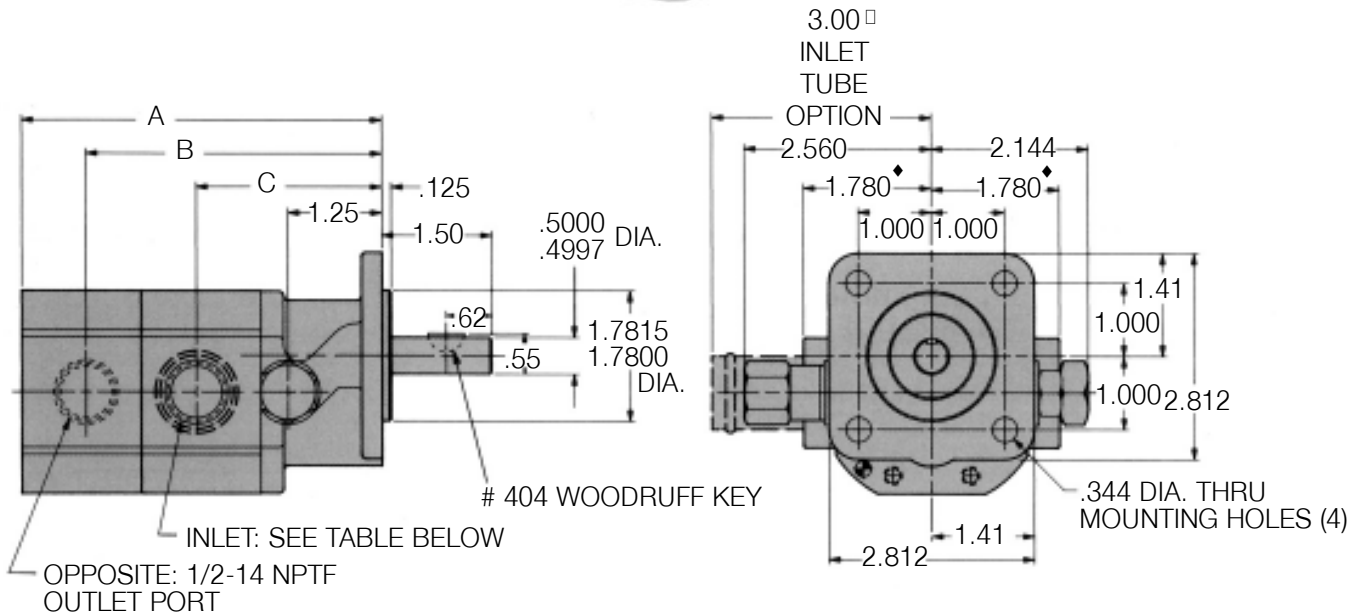
PERFORMANCE CURVES

at 3600 RPM, with 300SSU Oil



DIMENSIONAL DRAWINGS

GC Series



GC Series

P/N	Nominal Flow GPM *	✓ Rotation	Shaft		Mount Type	Ports **		Dimensions (inches)		
			Dia.	Ext.		Inlet	Outlet	A	B	C
1300483	5	CW	1/2	1.5"	4-bolt	◆ 1/2" NPTF	1/2" NPTF	4.91	4.03	2.53
1300484	7	CW	1/2	1.5"	4-bolt	◆ 1/2" NPTF	1/2" NPTF	4.91	4.03	2.53
1300485	9	CW	1/2	1.5"	4-bolt	◆ 1/2" NPTF	1/2" NPTF	4.91	4.03	2.53
1300356	11	CW	1/2	1.5"	4-bolt	◆ 1/2" NPTF	1/2" NPTF	4.91	4.03	2.53
1300357	11	✚ CCW	1/2	1.5"	4-bolt	◆ 1/2" NPTF	1/2" NPTF	4.91	4.03	2.53
1300159	11	CW	1/2	1.5"	4-bolt	□ 1" tube	1/2" NPTF	4.91	4.03	2.53
1300486 ■	13	CW	1/2	1.5"	4-bolt	□ 1" tube	1/2" NPTF	5.47	4.59	3.09
1300487 ■	16	CW	1/2	1.5"	4-bolt	□ 1" tube	1/2" NPTF	5.47	4.59	3.09

* At 3600 RPM.

** SAE ports available, consult factory.

✚ Ports and valves on opposite side of casting.

✓ As viewed from the shaft end.

■ These two pumps have square keys, 1/8" x 1", instead of #404 Woodruff Key.

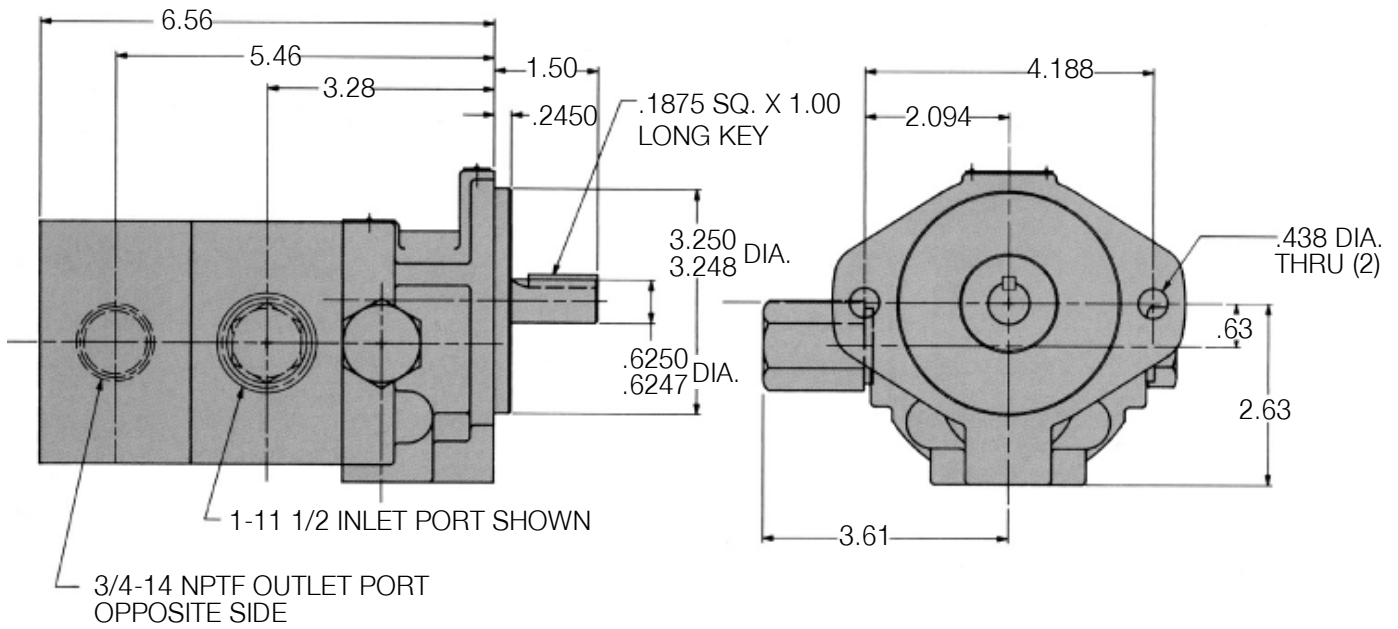
□ Indicates a 1" inlet tube is used.

◆ Indicates 1/2" NPTF port.

Pictures on front cover are used with the kind permission of eg: Atlet, BT, Huddig, Scania, Toro and Volvo Construction Equipment.

DIMENSIONAL DRAWINGS

D Series



D Series

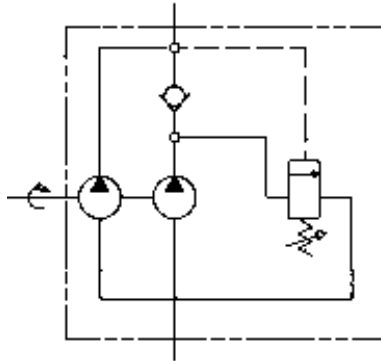
P/N	Nominal Flow GPM*	✓ Rotation	Shaft		Mount Type	Ports**	
			Dia.	Ext.		Inlet	Outlet
1300488	22	CW	5/8	1.5"	SAE A	1" NPTF	3/4" NPTF
1300489	28	CW	5/8	1.5"	SAE A	1" NPTF	3/4" NPTF

* At 3600 RPM.

** SAE ports available, consult factory.

✓ As viewed from the shaft end.

TWO STAGE HIGH/LOW HYDRAULIC GEAR PUMPS



Hydraulic Schematic

Pump Selection Guide

P/N	Nominal Flow GPM *	High Pressure Gear Displ. in. ³	Low Pressure Gear Displ. in. ³
1300483	5	.065	.258
1300484	7	.065	.388
1300485	9	.194	.388
1300356	11	.194	.517
1300357	11	.194	.517
1300159	11	.194	.517
1300486	13	.194	.647
1300487	16	.258	.776
1300488	22	.465	.930
1300489	28	.465	1.395

* At 3600 RPM.
All pumps factory preset at 650 PSI; for settings outside range, contact factory.

NOTE: All pumps above are 3000 PSI max. working pressure, 400-900 PSI unload adjustable range, and 500-4000 RPM range.

For more information, application assistance or detailed literature on any Haldex product line, call us toll free **1-800-572-7867**, visit our website at <http://www.hbus.haldex.com> or e-mail us at info.hydraulics.us@haldex.com or info.hydraulics.eu@haldex.com



PRODUCT RANGE

He Power PackS

12/24/48 VDC 0.8 - 3.5 kW and 0.75 - 3 kW AC modular power packs

Pressure Switches

5 - 350 bar connecting / disconnecting

He Classic Power Packs

12/24/48 VDC modular powerpacks in weatherproof boxes

W100 Hydraulic Pumps

0.5 - 2.0 cc/section, 227 bar

W300 Hydraulic Pumps

0.8 - 5.7 cc/section, 230 bar

W600 Hydraulic Pumps

4 - 12 cc/section, 276 bar

WM600 Hydraulic Motors

4 - 12 cc/section, 276 bar

W900 Hydraulic Pumps

5 - 31 cc/section, 276 bar

WM900 Hydraulic Motors

5 - 31 cc/section, 276 bar

WQ900 The Quiet Pump

5 - 27 cc/section, 230 bar

W1500 Hydraulic Pumps

19 - 50 cc/section, 276 bar

WM1500 Hydraulic Motors

19 - 50 cc/section, 276 bar

G25 Hydraulic Pumps

23 - 87 cc/section, 250 bar

GM25 Hydraulic Motors

23 - 87 cc/section, 250 bar

GPA Internal Gear Pumps

1.7 - 63 cc/section, 100 bar

GC Hydraulic Pumps/Fluid Motors

1.06 - 11.65 cc/section, 276 bar

II-Stage Hydraulic Pumps

4.2 - 22.8 cc/section, 276 bar

Rotary Flow Dividers

3.8 - 13.3 cc/section, 300 bar

D Hydraulic Pumps

3.8 - 22.9 cc/section, 207 bar

H Hydraulic Pumps

9.8 - 39.4 cc/section, 207 bar

G20/G30 Hydraulic Pumps

23 - 161 cc/section, 276 bar

GM20/GM30 Hydraulic Motors

23 - 161 cc/section, 276 bar

G20/G30 (LS) Hydraulic Pumps

23 - 161 cc/section, 276 bar

Transmission Pumps

Fuel Pumps

www.hbus.haldex.com



Haldex Hydraulics Corp.

2222 15th Street
ROCKFORD, IL 61104
USA
Tel: +1-815 398 4400
Fax: +1-815 398 5977
E-mail: info.hydraulics.us@haldex.com

Haldex Hydraulics Corp.

214 James Farm Road
STATESVILLE, NC 28625
USA
Tel: +1-704 873 2587
Fax: +1-704 878 0530
E-mail: info.hydraulics.us@haldex.com

Haldex Hydraulics AB

Box 95
SE-280 40 SK. FAGERHULT
Sweden
Tel: +46-433 32400
Fax: +46-433 30546
E-mail: info.hydraulics.eu@haldex.com

Haldex Hydraulics AB

Box 511
SE-195 25 MÄRSTA
Sweden
Tel: +46-8 591 288 50
Fax: +46-8 591 288 60
E-mail: info.hydraulics.eu@haldex.com

Haldex Hydraulics GmbH

Postfach 1507
D-95014 HOF
Germany
Tel: +49-9281 895-0
Fax: +49-9281 87133
E-mail: info.hydraulics.eu@haldex.com



Haldex is an innovator in vehicle technology supplying proprietary systems and components for trucks, cars and industrial vehicles, worldwide. With 4,100 employees and yearly sales exceeding 7 billion Swedish Kronor, Haldex is listed on the Stockholm Stock Exchange (www.haldex.com).