

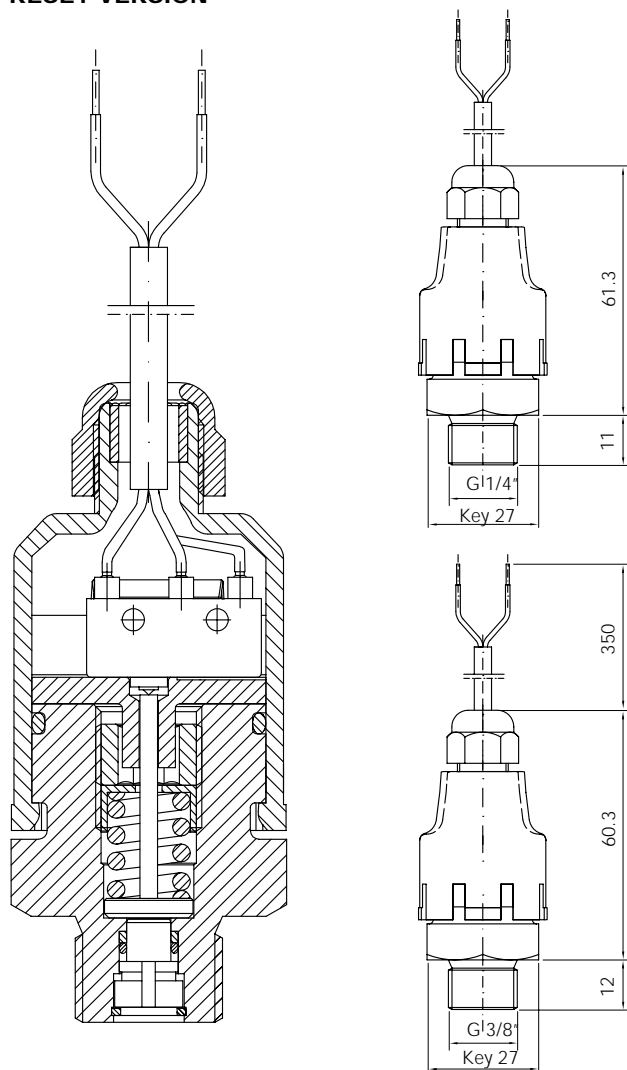


PRESSURE SWITCH



PRESSURE SWITCH KT 32/33/34

PRESET VERSION



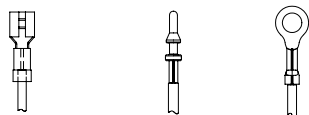
Order code example for a pressure switch

G3/8" Thread: 30260 - 00 - XXX
 G1/4" Thread: 30355 - 02 - XXX

① = Type 00 NC (KT32)
 01 NO (KT33)
 02 Switching (KT34)
 ② = Pressure set at
 XXX bar

Optional electrical connection

Flat socket 6.3 Flat pin 6.3 Ring Ø 5



For other combinations, electrical connections or special requirements, please contact our sales organisation.

PRODUCT DESCRIPTION

The pressure switch type KT is a pressure controlled electric switch, consisting of a piston activated microswitch with silver contacts. The pressure switch is factory pre-set to ordered pressure and not possible to re-adjust.

Operation

KT 32 disconnects the power when pressure rises (NC).
 KT 33 connects when pressure rises (NO).
 KT 34 switching when pressure rises/falls.

PERFORMANCE DATA

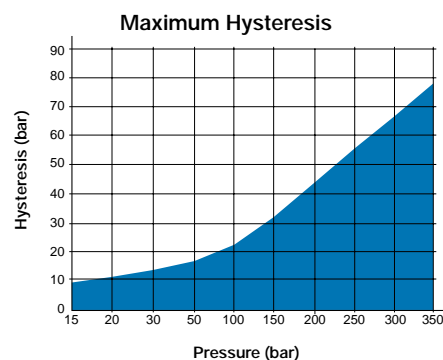
Detailed description

Max. working pressure 400 bar
 Max. peak pressure 1000 bar
 Tolerance setting up to 50 bar, +10%
 over 50 bar, +5 bar
 Protective class IEC 529: IP 66. IP 67
 DIN40050: IP69K
 Pressure medium -40° C to 100° C
 temperature
 Ambient temperature -40° C to 85° C
 Electric spec. 28 VDC: 3A inductive
 load, 5A resistive load
 250 VAC: 5A
 Pressure range between 2 and 350 bar
 can be ordered
 Medium mineral- or synthetic
 based hydraulic fluids
 (with std. NBR seal)
 Installation **Observe!** Fixed setting.
 Will break at attempt to adjust

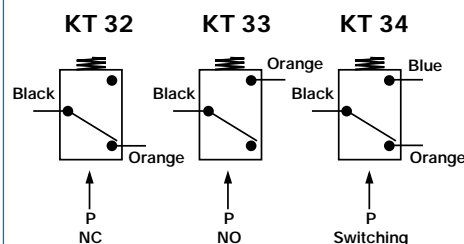
Features

- High pressure range
- Withstands high pressure water spraying
- High reliability
- Tested to over 1x10⁶ pressure cycles
- High bursting pressure
- Built in microswitch with silver contacts
- Piston type

Performance

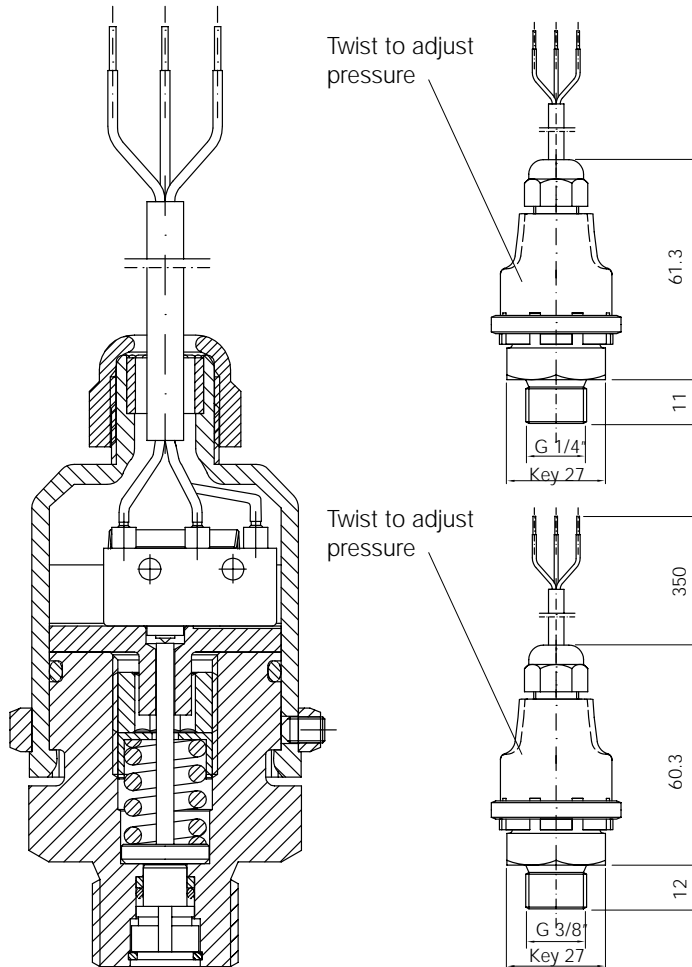


Symbols



PRESSURE SWITCH KT 35

ADJUSTABLE VERSION



Order code example for a pressure switch

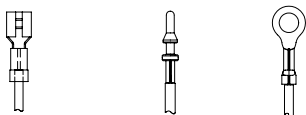
① ②
 G3/8" Thread: 30325 - 00 - XXX
 G1/4" Thread: 30356 - 02 - XXX

① = Type 00 25-150 bar
 01 100-350 bar
 02 10-35 bar

② = Pressure set at
 XXX bar

Optional electrical connection

Flat socket 6.3 Flat pin 6.3 Ring Ø 5



For other combinations, electrical connections or special requirements, please contact our sales organisation.

PRODUCT DESCRIPTION

The pressure switch type KT 35 is a pressure controlled electric switch, consisting of a piston activated microswitch with silver contacts. The pressure is field adjustable within the pressure range.

Operation

KT 35 switching when pressure rises/falls. To adjust pressure setting, untighten locking screw and twist upper part to desired pressure and then tighten the locking screw.

PERFORMANCE DATA

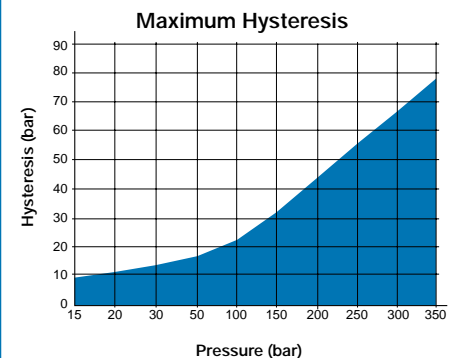
Detailed description

Max. working pressure	400 bar
Max. peak pressure	1000 bar
Protective class	IEC 529: IP 66, IP 67 DIN 40050: IP69K
Pressure medium temperature	-40° C to 100° C
Ambient temperature	-40° C to 85° C
Electric spec.	28 VDC: 3A inductive load, 5A resistive load 250 VAC: 5A
Pressure range	25-150 bar, and 100-350 bar 10-35 bar
Liquid	mineral- or synthetic based hydraulic fluids (with std. NBR seal)
Installation	no restrictions

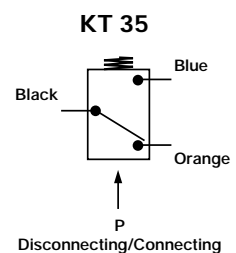
Features:

- High pressure range
- Withstands high pressure water spraying
- High reliability
- Tested to over 1x10⁶ pressure cycles
- High bursting pressure
- Built in microswitch with silver contacts
- Piston type

Performance



Symbol



www.haldex.com



Haldex Hydraulics AB
 Industrigatan 6
 Box 511
 SE-195 25 ARLANDASTAD
 Sweden
 Tel: +46-8 591 288 50
 Fax: +46-8 591 288 60
info.hydraulics.eu@haldex.com

Haldex Hydraulics Corp.
 2222 15th Street
 ROCKFORD, IL 61104
 USA
 Tel: +1-815 398 4400
 Fax: +1-815 398 5977
info.hydraulics.us@haldex.com

Haldex Hydraulics AB
 Ringvägen 3
 SE-280 40 SK. FAGERHULT
 Sweden
 Tel: +46-433 32400
 Fax: +46-433 30546
info.hydraulics.eu@haldex.com

Haldex Hydraulics Corp.
 214 James Farm Road
 Statesville, NC 28625
 USA
 Tel: +1-704 873 2587
 Fax: +1-704 838 7989
info.hydraulics.us@haldex.com

Haldex Hydraulics GmbH
 Seligenweg 12
 Postfach 1507
 DE-95014 HOF
 Germany
 Tel: +49-9281 895-0
 Fax: +49-9281 87133
info.hydraulics.eu@haldex.com



Haldex is an innovator in vehicle technology and supplies proprietary systems and components for trucks, cars and industrial vehicles worldwide. Haldex is listed on the Stockholm Stock Exchange and has yearly sales exceeding 6,5 billion Swedish Krona with 4.000 employees (www.haldex.com).

PRODUCT RANGE

HE Powerpacks
 12/24/48 VDC 0.3 – 4.5 kW and
 0.75 – 3 kW AC modular power
 packs

Pressure Switches
 5 - 350 bar, connecting/
 disconnecting

HE Box Powerpacks
 12/24/48 VDC modular
 powerpacks in weatherproof
 boxes

W100 Hydraulic pumps
 0,5 - 2,0 cc 227 bar

W300 Hydraulic pumps
 0.8 – 5.7 cc 230 bar

W600 Hydraulic pumps
 3 – 12 cc 276 bar

WM600 Hydraulic motors
 3 – 12 cc 276 bar

W900 Hydraulic pumps
 5 – 31 cc/section 276 bar

WM900 Hydraulic motors
 5 - 31 cc/section 276 bar

WQ900 The quiet pump
 5 - 23 cc/section 230 bar

W1500 Hydraulic pumps
 19 - 50 cc/section 276 bar

WM1500 Hydraulic motors
 19 - 50 cc/section 276 bar

G25 Hydraulic pumps
 21.3 – 63 cc/section 250 bar

GPA Internal Gear pumps
 1.7 – 63 cc/section 100 bar

GC Hydraulic pumps
 1.06 – 11.65 cc/section 275 bar

II-Stage Hydraulic pumps
 4.2 – 22.8 cc/section 275 bar

Rotary Flow Dividers
 3.8 – 13.3 cc/section 300 bar

G20/G30 (LS) Hydraulic pumps
 23 – 161 cc/section 275 bar

Transmission pumps

Fuel pumps