

▼ Shown from left to right: P-462, P-84, P-801, P-77, P-80, P-39



The Solution for Tough Jobs



Two Speed

Recommended for applications where cylinder plunger must advance rapidly to contact load, and applications where greater oil capacities are required, such as multiple cylinder hook-ups.



Foot Pump Conversion Kits

Convert your P-39 to foot power with the PC-10 Kit. Includes instructions for easy conversion.



Gauges

Minimize the risk of overloading and ensure long, dependable service from your equipment. Refer to the

System Components section for a full range of gauges.

Page: 122



4-Way Control Valve

P-84 and P-464 feature a manual 4-way control valve, designed for use with one double-acting or two single-

acting cylinders. For system set-up information:

Page: 109

- Two-speed operation for reduced operator fatigue (except P-39)
- 4-way valving on the P-84 and P-464 for operation of double-acting cylinders
- External load release valve on remaining models for single-acting cylinder operation
- Internal pressure relief valve for overload protection
- Large oil capacity to power a wide range of cylinders or tools

▼ In the absence of a power supply, the P-80 Hand Pump offers a powerful solution.



Pump Type	Usable Oil Capacity (in ³)	Model Number	Pressure Rating*		Oil Displacement per Stroke		Max. Handle Effort (lbs)
			(psi)		(in ³)		
			1 st stage	2 nd stage	1 st stage	2 nd stage	
Single	40	P-39	N/C	10,000	N/C	.16	111
Two-speed	47	P-77	200	10,000	.97	.15	94
	134	P-80**	350	10,000	.99	.15	104
	249	P-801	350	10,000	.99	.15	104
	134	P-84***	350	10,000	.99	.15	104
	453	P-462	200	10,000	7.69	.29	110
	453	P-464***	200	10,000	7.69	.29	110

* Contact Enerpac for applications where operating pressure is less than 10% of pressure rating.

** Available as a set, see note on next page.

*** For use with double-acting cylinders.

Steel Hand Pumps

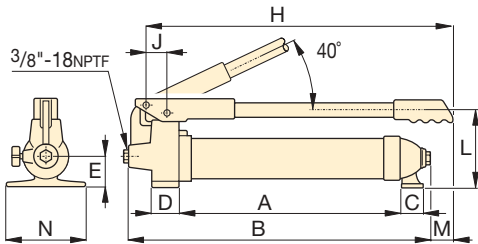
P Series



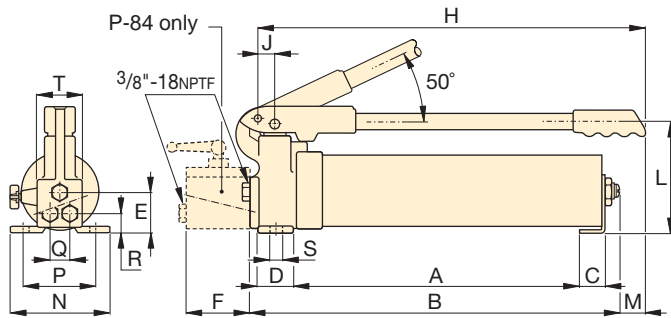
Reservoir Capacity:
40-453 in³

Flow at Rated Pressure:
.15-.29 in³/stroke

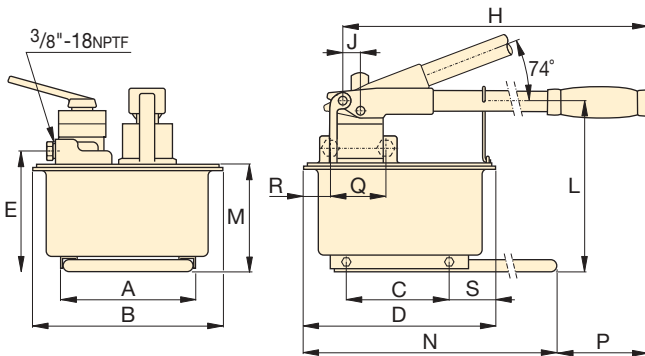
Maximum Operating Pressure:
10,000 psi



P-39, P-77



P-80, P-801, P-84



P-462, P-464

Pump and Cylinder Sets
P-80 is also available as a set (pump, cylinder, gauge, couplers and hose) for your ordering convenience.
Page: 58

Speed Chart
To determine how a specific pump will operate your cylinder, see the Pump/Cylinder Speed Chart in the "Yellow Pages".
Page: 113

Cylinder Matching Chart
For help in selecting the correct hand pump for your application, please refer to the Cylinder Matching Chart located in the "Yellow Pages".
Page: 104

Piston Stroke (in)	Dimensions (in)																Weight (lbs)	Model Number
	A	B	C	D	E	F	H	J	L	M	N	P	Q	R	S	T		
.81	15.5	20.47	1.28	1.50	1.25	-	18.25	1.18	4.69	2.56	5.25	-	-	-	-	-	13	P-39
1.00	16.46	20.67	1.30	1.57	2.04	-	22.04	1.34	4.57	1.97	4.72	-	-	-	-	-	15	P-77
1.00	16.75	21.22	1.00	1.75	2.13	-	20.75	1.14	6.88	.75	5.75	4.76	-	.83	.31	-	24	P-80**
1.00	25.94	30.78	1.00	1.75	2.13	-	30.43	1.14	6.88	-	5.75	4.76	-	.83	.31	-	31	P-801
1.00	16.75	21.22	1.00	1.75	-	2.52	20.75	1.14	6.88	.75	5.75	4.76	1.50	1.69	.31	2.64	29	P-84***
1.50	8.25	12.13	6.42	12.63	7.68	-	26.44	.98	10.63	6.89	25.6	3.63	-	-	3.13	-	61	P-462
1.50	8.35	12.13	6.42	12.63	7.68	-	26.44	.98	10.63	6.89	25.6	3.63	3.50	2.68	3.13	-	61	P-464***