

▼ Shown from left to right: P-51, P-25, P-18



When Less Than 10,000 psi is All You Need

P-Series

- P-25 and P-50 pump oil in both forward and reverse handle movement improving overall efficiency, ideal when mounting space is restricted
- External load-release valve
- Internal pressure-relief valve for overload protection
- P-51 can be operated in horizontal and vertical position with pump head and oil outlet facing downwards



LX-101 Handpump Oil

A medium viscosity oil specially formulated for handpumps. Performs well in low temperatures and requires less pumping effort than standard Enerpac HF blue oil.

Page: 120



Gauges

Minimize the risk of overloading and ensure long, dependable service from your equipment. Refer to the

System Components section for a full range of gauges.

Page: 122

▼ P-18 hand pump used for locking the rotating table for marble polishing.



Pump Type	Usable Oil Capacity (in ³)	Model Number	Pressure Rating (psi)	Oil Displacement per Stroke (in ³)	Max. Handle Effort (lbs)
Single-speed	18	P-18	2,850	0.16	57
	200	P-25	2,500	0.58	60
	200	P-50	5,000	0.29	60
	50	P-51	3,000	0.25	61

Low Pressure Hand Pumps

P Series



Reservoir Capacity:
18-200 in³

Flow at Rated Pressure:
.16-.58 in³/stroke

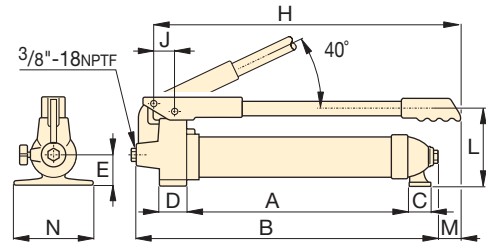
Maximum Operating Pressure:
2,500-5,000 psi



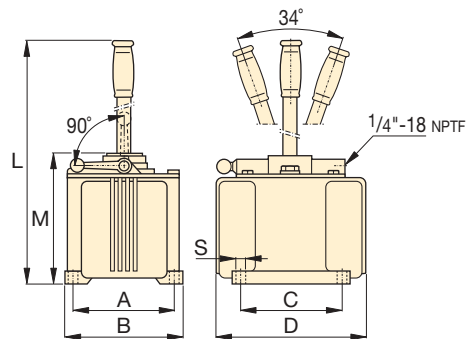
Hoses

Enerpac offers a complete line of high quality hydraulic hoses. To ensure the integrity of your system, specify only genuine Enerpac hydraulic hoses.

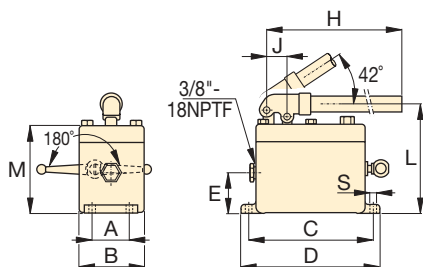
Page: **116**



P-18



P-25, P-50



P-51

P-25 hand pumps used with RC-series cylinders to keep wooden layers under pressure during lamination of plates. ▶



Piston Stroke	Dimensions (in)																Weight (lbs)	Model Number	
	(in)	A	B	C	D	E	F	H	J	L	M	N	P	Q	R	S			T
.81	8.25	12.88	1.28	1.50	1.88	-	8.50	1.18	4.38	.51	5.25	-	-	-	-	-	-	11	P-18
1.50	6.00	6.82	6.00	9.43	-	-	-	-	26.94	7.88	-	-	-	-	-	.40	-	36	P-25
1.50	6.00	6.82	6.00	9.43	-	-	-	-	26.94	7.88	-	-	-	-	-	.40	-	37	P-50
1.00	2.06	3.63	7.12	7.88	2.25	-	24.00	1.16	6.31	5.06	-	-	-	-	.34	-	-	12	P-51