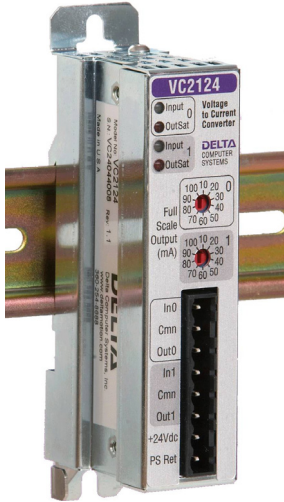


VC2124

Two Axis Voltage-to-Current Converter

D A T A S H E E T



The VC2124 voltage-to-current converter transforms $\pm 10V$ signals into current signals capable of driving hydraulic servo valves or similar loads. It also provides a convenient way to set the full scale current to match valve requirements, limit maximum current, or set optimum working ranges.

Features

- ▲ Two channels of voltage-to-current conversion
- ▲ Full scale output current switch-selectable from $\pm 10mA$ to $\pm 100mA$ in 10mA steps (each channel set independently)
- ▲ Inputs and outputs can be paralleled for output current up to $\pm 200mA$
- ▲ Dual-color LEDs indicate input polarity and amplitude
- ▲ LEDs indicate output saturation (typically caused by loss of connection to the valve or excessively high load resistance)
- ▲ Outputs protected against inductive voltage spikes and short circuits
- ▲ Compact DIN-rail mount package
- ▲ Powered by single 24V supply
- ▲ 24V power supply isolated from inputs and outputs

VC2124 Specifications

Inputs

Input Voltage Range $\pm 10V$

Indicators 1 dual color LED per channel; Green = positive input, Amber = negative, intensity indicates amplitude. 1 red LED per channel indicates saturation.

Input Impedance $50k\Omega$

Overvoltage Protection $\pm 25V$

Outputs

Output Current Range $\pm 10mA$ to $\pm 100mA$, switch-selectable (see the Output Characteristics table for more information). Inputs and outputs can be paralleled for current up to 200 mA.

Indicators 1 red LED per channel for output saturation indication (open circuit or excessive load resistance).

Rise Time (square wave input) 100 μs typical, 10% to 90% (100mA setting, 50 Ω resistive load)

3dB frequency 2.5 kHz typical ($\pm 2V$ in, 100mA setting, 50 Ω resistive load)

Conversion Accuracy 0.6% full scale, typical, all ranges

Offset 20 μA typical

Max Load Inductance 1H

Power Supply Requirements

Voltage 24Vdc $\pm 20\%$

Current 200 mA

Isolation Power supply is isolated from all inputs and outputs. All inputs and outputs share a common.

Protection Power supply inputs are protected against over-voltage, spikes, and reverse voltage. Fuse 24Vdc input with 5A maximum, UL-listed, fast-blow fuse.

Mechanical

Dimensions 1.00 x 4.65 x 1.95 in (W x H x D)

Weight 5.5 oz (160 g)

Mounting Mounts directly to DIN rail or panel

Connectors 8-pin unpluggable terminal block

Environment

Operating Temperature +32 to +140 $^{\circ}F$ (0 to +60 $^{\circ}C$)

Storage Temperature -40 to +185 $^{\circ}F$ (-40 to +85 $^{\circ}C$)

Agency Compliance UL and CUL. File# E252441
For use in Type I enclosure.

DELTA
COMPUTER SYSTEMS

Motion Control...and More.
deltamotion.com

Specifications

Wiring

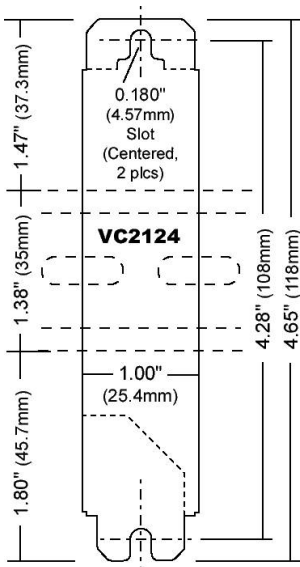
Terminal Block		
Pin	Label	Function
1	In 0	±10V Input
2	Cmn	Common
3	Out 0	Current Out
4	In 1	±10V Input
5	Cmn	Common
6	Out 1	Current Out
7	24Vdc	24Vdc Power Supply
8	PS Ret	Power Supply Return

Note: Pins 2 and 5 are electrically the same.

Mounting Dimensions

Mount vertically with 3 inches clearance above and below for airflow.

Drawing is not a 1:1 scale.



Ordering Information

Part Number: VC2124 – Includes unpluggable terminal block

Company Profile

Delta Computer Systems, Inc. manufactures motion controllers, color sensors, and other industrial controls providing high-performance automation solutions to a wide range of industries.

Output Characteristics

The minimum output drive voltage and maximum load resistance is dependent on output current.

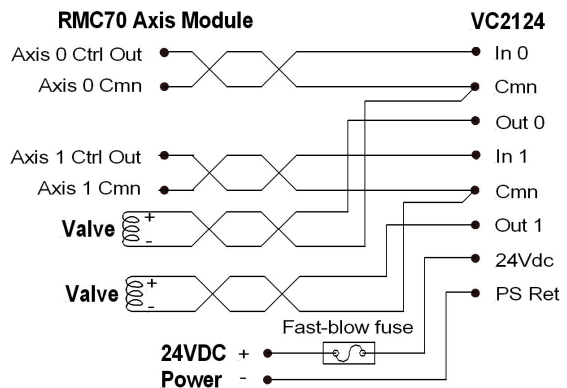
Minimum Output Voltage and Maximum Load Resistance			
Output Current (mA)	V _{out}		Maximum Load Resistance (Ω)
	Typical (V)	Minimum (V)	
10	11.0	10.4	1040
20	10.8	10.1	505
30	10.5	9.9	330
40	10.3	9.6	240
50	10.0	9.3	186
60	9.7	9.1	152
70	9.5	8.0	126
80	9.2	8.5	106
90	9.0	8.3	92
100	8.7	8.0	80

The VC2124 can drive a short circuit to common—the current is internally limited. The output amplifier will shut down under severe overload (such as driving a short to a power supply).

Minimum load resistance is dictated by ambient temperature and output current (average of absolute value over 30 seconds).

Ambient Temperature and Minimum Load Resistance		
Average Current (mA)	Min Load at 60°C (Ω)	Min Load at 50°C (Ω)
90	36	12
80	29	0
70	16	0
60	0	0

Sample Wiring Diagram



Fuse 24Vdc input with 5A maximum, UL-listed, fast-blow fuse. One fuse suffices for up to 10 VC2124s. For maximum protection, use 500mA fuse per VC2124.